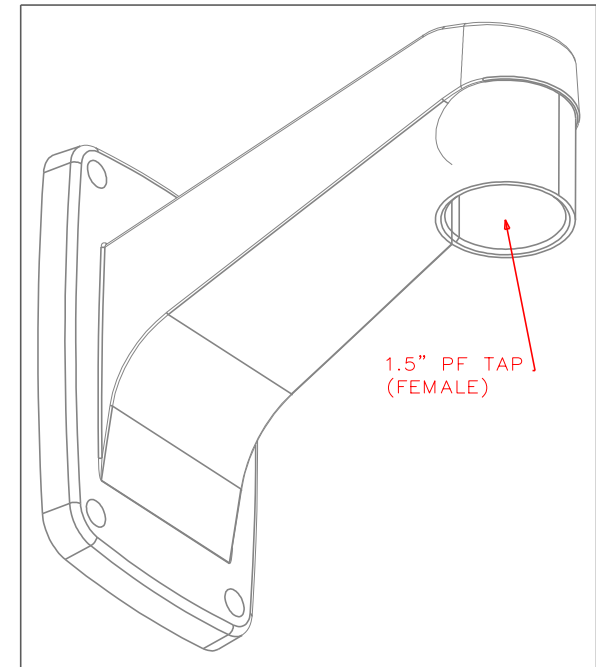
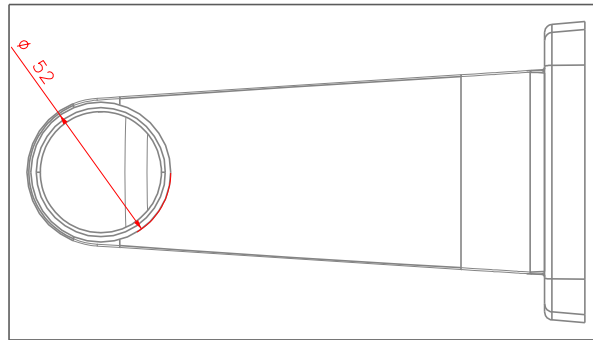
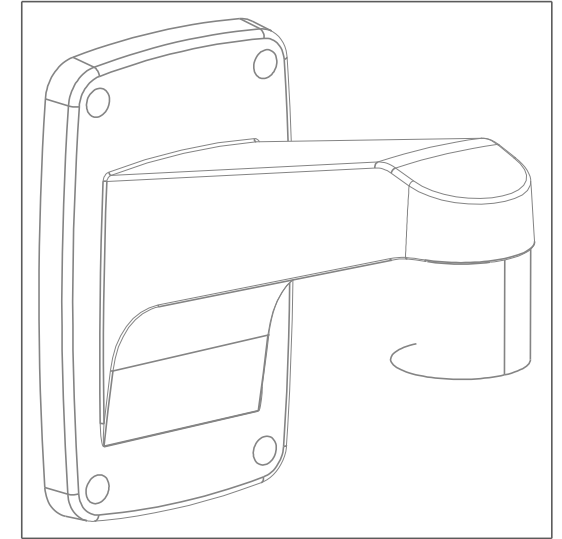
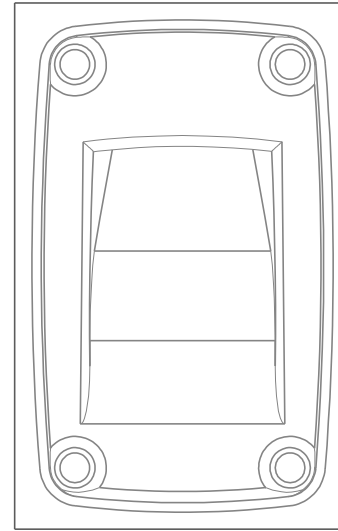
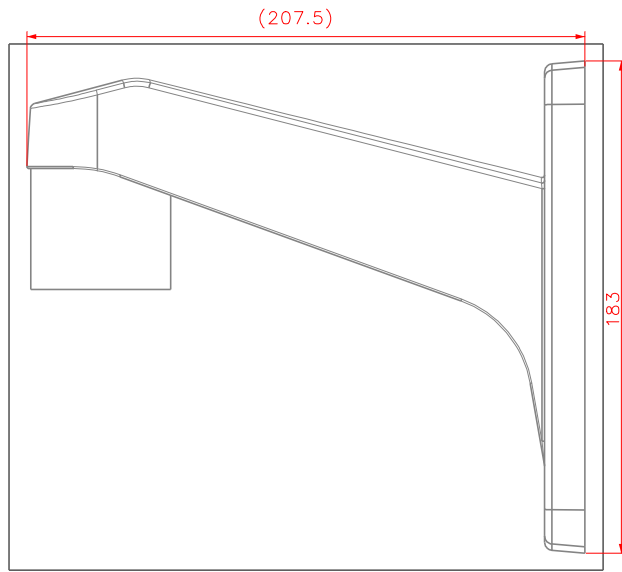
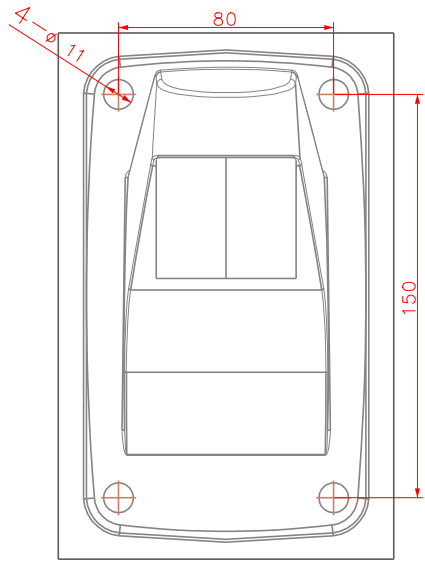
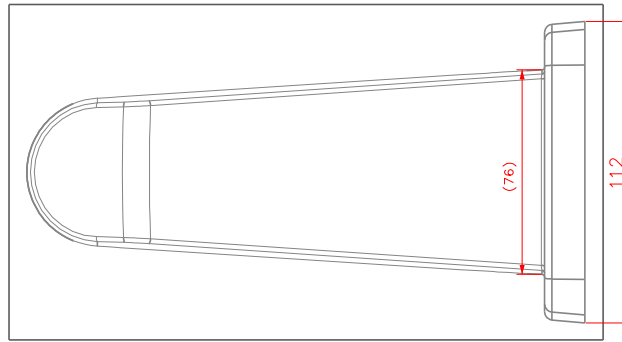


NO	PART NAME	CODE NO.	MATERIAL	QTY	REMARK
1					

WALL MOUNT  
SBP-300WM1



1.5" PF TAP  
(FEMALE)

This parts should not contain any substances which are specified in 00A-2049

UNIT	mm	DESIGN	CHECK	APPROVAL	PART NAME
SCALE	1/1				WALL MOUNT
NODE	DIRECTORY	FILE NAME			SBP-300WM1
SAMSUNG TECHWIN CO.					CODE NO